

PLZ1140-D

4 MegaPixel 5-50mm Lens

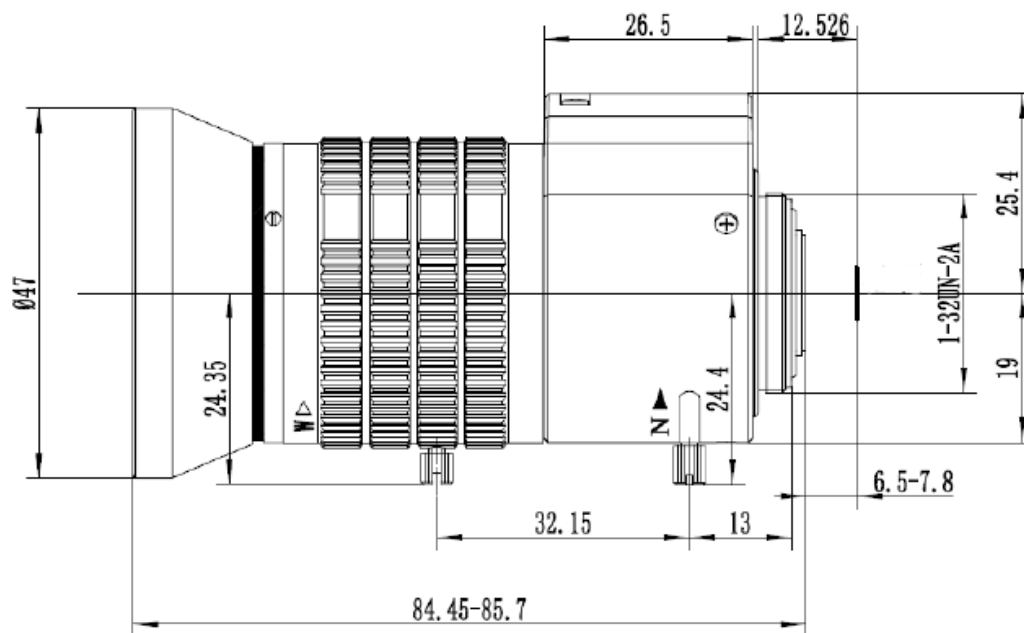


Specifications

Model		PLZ1140-D
Parameter		
Image format		1/2.7"
Focal length		5-50mm
Aperture		F1.6
Field Angle	1/2.7"	W: 70°(D)x50°(H)x37.5°(V)~T: 7°(D)x5.6°(H)x4.2°(V)
	1/3"	W: 52°(D)x41.6°(H)x31.2°(V)~T: 6.4°(D)x5.1°(H)x3.8°(V)
M.O.D.		1m
TV Distortion		<-15.1%
IR Correction		Yes
Lens Control	Focus	Manual
	Zoom	Manual
	Iris	DC-Iris
Mount		CS
Dimension		Ø47x85.9mm
Weight		195g
Operating temperature		-30℃~+70℃

PLZ1140-D

Dimensions (mm)





PLZ1140-D

4 MegaPixel 5-50mm Lens