

i-Net Networks Floor Standing Glass Door Cabinet

42U 800mm Width



42U 600mm Width



Compliance

Meets ANSI/EIA RS-310-D
 Meets IEC297-2
 Meets DIN41491 part 1
 Meets DIN41494

Main Structure

Front glass door & quick open side door with lock with key
 Vertical cable manager (only for 800mm width cabinets)
 Castor (heavy duty for 27U & above) & adjustable stopper feet
 Four adjustable profile
 Cage nut
 Four top mounted fans
 Height: 15U~47U
 Width: 600mm, 800mm
 Depth: 600mm, 800mm, 1000mm, 1200mm
 Package: Assembled/unassembled

Roof Mounted Fan



Castor



Material

Frame: Steel
 Others: SPCC cold rolled steel
 Thickness: Profile - 0.08" (2.0 mm), Angle - 0.06" (1.5 mm),
 Side Panel -0.03" (0.8 mm), others - 0.05" (1.2 mm)

Adjustable Stopper Feet



Loading Capacity

Static loading capacity on adjustable feet:
 15U~27U Maximum up to 400kg
 32U~47U Maximum up to 800kg

Lock & Key



Features

Easy to assemble flat pack or fully assembled
 Connected by four-corner to ensure stability
 Exquisite design with precise craftsmanship
 Top and bottom panel for cable entry
 Easy removable side panel
 Toughened glass door

Cage Nut



Surface Finish

Color: RAL9005 (Black), RAL7035 (Light Grey)
 Degreasing, Pickling, Phosphoric, Powder coated

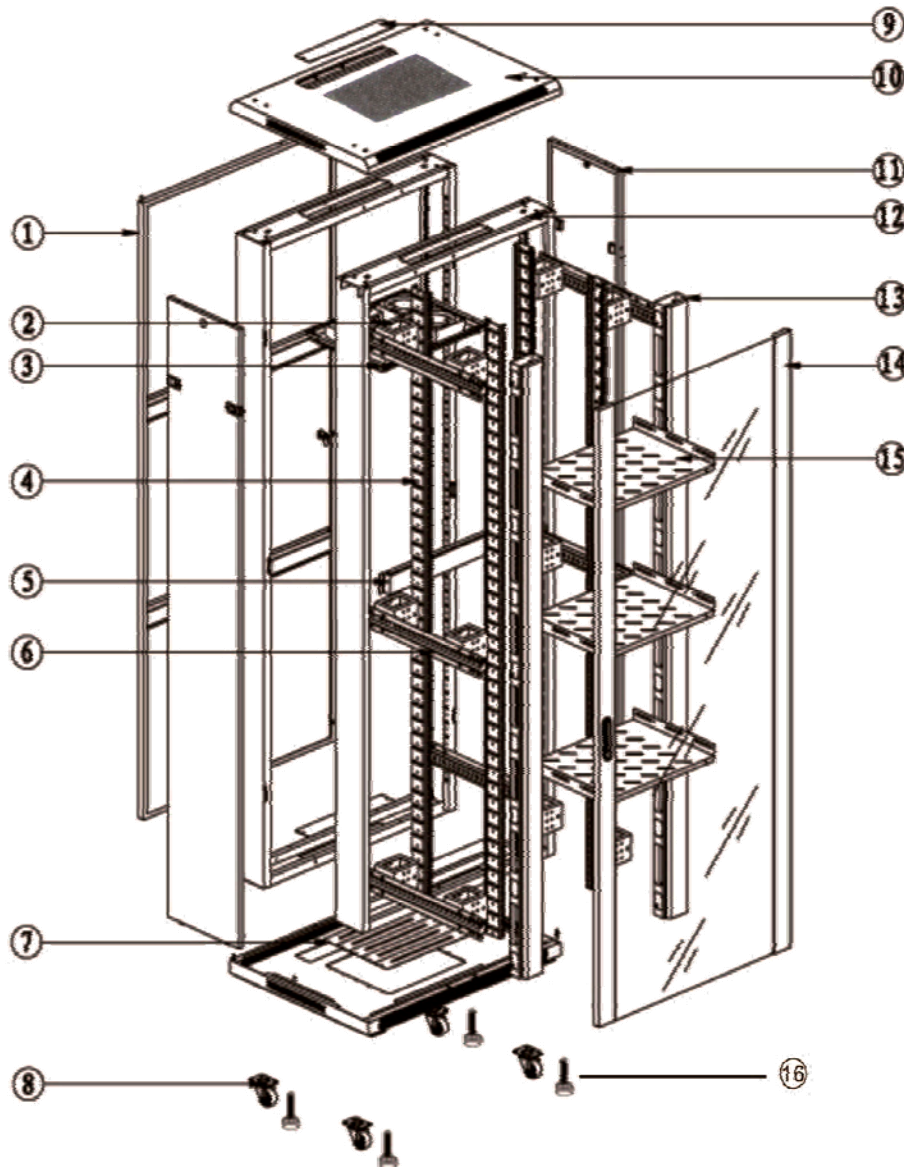
Ordering

CFG-42-801K i-Net Networks Cabinet Floor Standing Front Glass Door 42U 800x1000mm Black

42 15-15U, 18-15U, 22-22U, 27-27U, 32-32U, 37-37U, 42-42U, 47-47U

801K (WxD in mm) 6060-600x600, 6080-600x800, 601K-600x1000, 8080-800x800, 801K-800x1000, 8012-800x1200

i-Net Networks Floor Standing Glass Door Cabinet



Main Structure;

- | | | | |
|------------------------------|---------------------------|----------------|--------------------|
| 1 Steel rear door | 2 Spacer(for 800mm width) | 3 Fan tray | 4 Mounting profile |
| 5 Blanking panel | 6 Mounting angle | 7 Bottom | 8.Caster |
| 9 Cable entry plate | 10 Top | 11 Side panel | 12 Frame |
| 13 Vertical cable management | 14 Front door | 15 Fixed shelf | 16 Feet |