

i-Net Networks Heavy Duty Floor Standing Cabinet



Roof Mounted Fan



Lock & Key



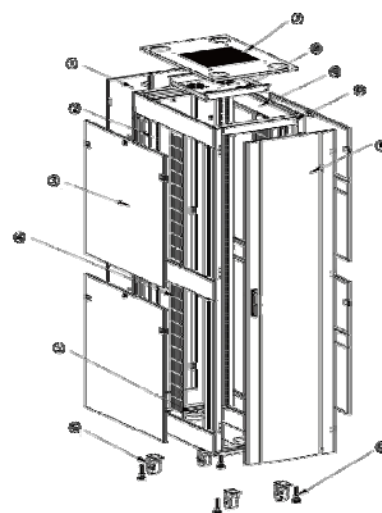
Heavy Duty Castor



Adjustable Feet



Cage Nut



1. Back door
2. Mounting profiles
3. Side panel
4. Cable tray
5. Bottom
6. Castors
7. Top cover
8. Fan tray
9. Mounting angles
10. Frames
11. Front door
12. Feet

Compliance

Meets ANSI/EIA RS-310-D
 Meets IEC297-2
 Meets DIN41491 part 1
 Meets DIN41494

Main Structure

Front 85% perforated single door with coded lock
 Quick open hinged side door with lock & key
 Rear perforated double door with three point locking system
 Four top mounted fans
 Four adjustable 19inch profile
 Heavy duty castor & adjustable stopper feet
 Cage nut
 Height: 42U~48U
 Width: 600mm, 800mm
 Depth: 1,200mm
 Package: Assembled, optionally unassembled
 Cascading unit optional

Material

Frame: Steel
 Others: SPCC cold rolled steel
 Thickness: Profile - 0.08" (2.0 mm), Angle - 0.06" (1.5 mm),
 Side Panel -0.03" (0.8 mm), others - 0.05" (1.2 mm)

Loading Capacity

Static loading capacity up to 1200kg on adjustable feet

Surface Finish

Color: RAL9005 (Black), RAL7035 (Light Grey)
 Degreasing
 Pickling
 Phosphoric
 Powder coated

Ordering

CFM-48-6012-FPSRPD i-Net Networks Heavy Duty Floor Standing Cabinet 48U 600x1200mm
 Front Perforated Single Door, Rear Perforated Double Door

FM **FM**-Front Metal Door, **FG**-Front Glass Door

48 **42**-42U, **45**-45U, **48**-48U

6012 (WxD in mm) **6012**-600x1200mm, **8012**-800x1200mm

FPSRPD

FRPS-Front & Rear Perforated Single Door
FRPD-Front & Rear Perforated Double Door
FPSRPD-Front Perforated Single Door & Rear Perforated Double Door
FPDRPS-Front Perforated Double Door & Rear Perforated Single Door