

i-Net Networks Floor Standing IP55 Outdoor Cabinet



Compliance

Meets EN60529/10.91
 Meets IEC60529
 Meets GB4208-93
 Meets IP55

Main Structure

Stable structure, precise dimension and inner mounting space
 Nine fold strong frame with mounting holes
 130° span front door
 Eye bolts four pieces on the top
 Side and rear panel fastened
 Front door with lock
 Polyurethane gasket all round door and frame
 Bottom cable entry through three panels
 M8 earth lugs mounted on body, panel and door
 Adjustable inner mounting panel
 Height: 15U, 27U, 42U and other size upon request
 Width: 600mm, 800mm
 Depth: 600mm, 800mm
 Plinth height 100mm (optional)

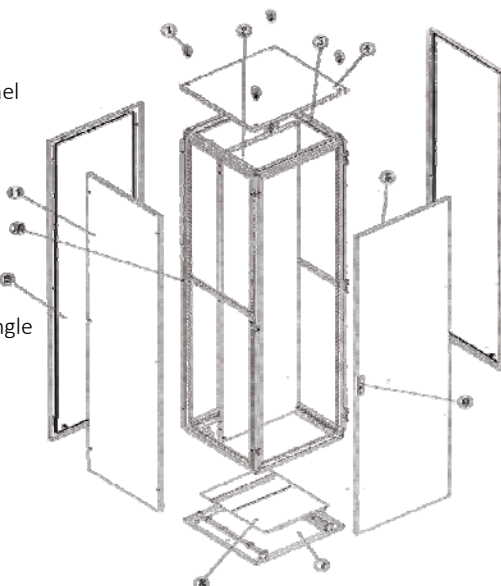
Material

Frame: Steel
 Others: SPCC cold rolled steel
 Thickness:
 Mounting panel - 0.08" (2.0 mm),
 Front door - 0.08" (2.0 mm),
 Frame - 0.06" (1.5 mm),
 Side panel - 0.06" (1.5 mm),
 Rear panel - 0.06" (1.5 mm),
 Mounting Angle - 0.06" (1.5 mm),
 Others - 0.05" (1.2 mm).

Surface Finish

Degreasing
 Pickling
 Parkerizing
 Powder coated
 Mounting panel color: RAL2000SN
 Body, frame, side panel and doors color: RAL7035SN
 Optional Color: RAL9005 (Black)

1. Eye Bolt
2. Mounting Panel
3. Frame
4. Top Cover
5. Front Door
6. Lock
7. Bottom Panel
8. Cable Entry
9. Back Panel
10. Mounting Angle
11. Side Panel



Ordering

C55-42-8080 i-Net Networks IP55 Outdoor Cabinet 42U 800x800mm

42 (WxD in mm) 15-15U, 27-27U, 42-42U

8080 6060-600x600mm, 6080-600x800mm, 8080-800x800mm